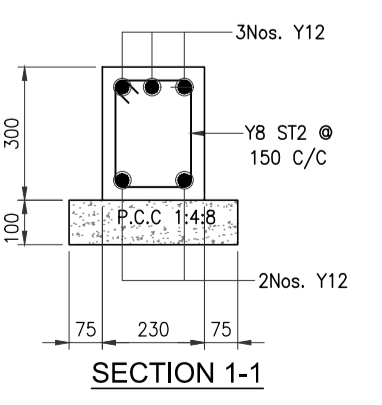
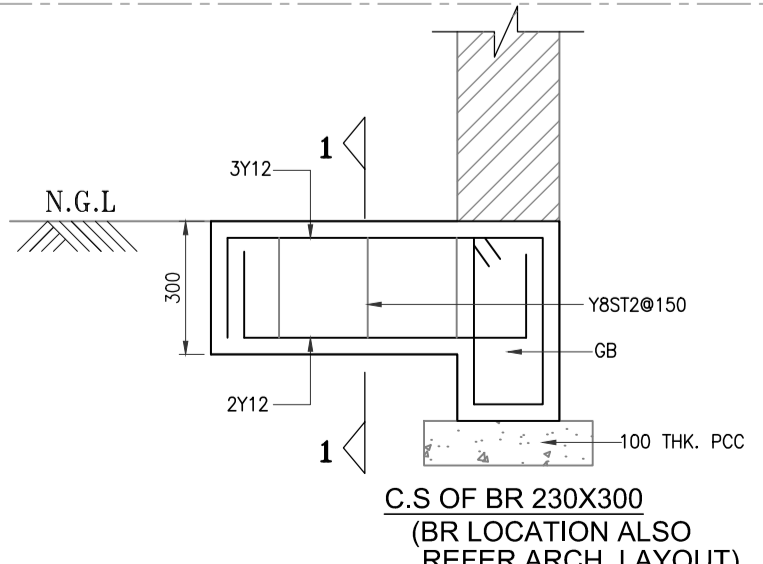
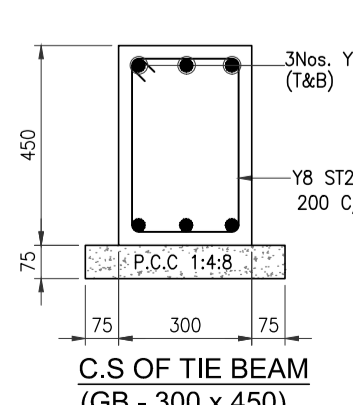
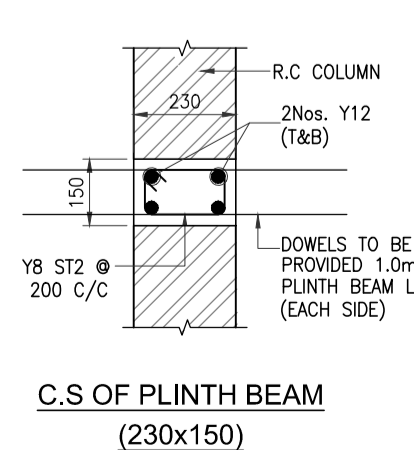


FOUNDATION LAYOUT



NOTES

1. This drawing is sole property of 'Pithavadian and Partners' and must not be reproduced or altered either in full or in part by anyone without consent from us or be passed to any individual or company not authorised by us.
2. Any discrepancy in the drawing should be brought to the immediate attention of the Architect.
3. All dimensions in millimeters and levels in meters.
4. Dimensions to be followed as indicated and not to be scaled.

NOTES:

1. ALL DIMENSIONS ARE TO BE CHECKED AND VERIFIED BEFORE EXECUTION OF THE WORK.
2. ALL DIMENSIONS ARE IN MILLIMETRES UNLESS OTHERWISE SPECIFIED.
3. DIMENSIONS SHALL BE FOLLOWED AS INDICATED NOT TO BE SCALED.
4. CLEAR COVER TO MAIN REINFORCEMENT IN GRADE BEAMS/PLINTH BEAMS ---- 35mm  
PEDESTAL/COLUMNS ---- 50mm  
FOOTINGS ---- 50mm
5. THIS.DRG. SHOULD BE READ ALONG WITH THE ARCHITECTURAL DRGS.
6. LAP LENGTH FOR ALL BARS SHALL BE 50 TIMES THE DIA OF THE BAR.
7. CONCRETE GRADE M25  
& REINFORCEMENT GRADE Fe.550D - TMT.
8. FOUNDATION DESIGNED FOR G+2
9. SBC OF SOIL IS 300KN/M<sup>2</sup>

REV.	DATE	DESCRIPTION	DRAWN	CHKD.
REVISIONS				
AS BUILT				
CONSTRUCTION				
APPROVAL				
INFORMATION				
TENDER			TENDER	
SCHEME				
ISSUED FOR				

NAME OF THE PROJECT:  
PROPOSED CONSTRUCTION OF INSTITUTIONAL BUILDING FOR M/S. ICAL, Chengalpattu District Branch of SIRC of ICAL

CLIENT:  
M/S. INSTITUTE OF CHARTERED ACCOUNTANTS OF INDIA Chengalpattu District Branch of SIRC of ICAL

DRAWING TITLE:  
FOUNDATION LAYOUT

STRUCTURAL CONSULTANT:  
ZACHARIA GEORGE F.I.E

SCALE: 1:80 @ A1	DESIGN BY: ZG	DRAWN BY: KALAISELVI	CHECKED BY: M.MANI
DATE: 03.05.2023	SIGN:	SIGN:	SIGN:

ARCHITECTURE \* INTERIORS \* PLANNING \* ENGINEERING \* MANAGEMENT

**PITHAVADIAN AND PARTNERS**  
Chennai • Bengaluru • Kochi • Hyderabad

10, MURUGAPPA ROAD, NAWAB GARDENS, KOTTURPURAM, CHENNAI - 600 085

Phone : +91 (0) 44 2447 0033 / 44 / 66  
Fax : +91 (0) 44 2447 0888 / 4213 2797  
email : mail@paparchitect.com  
website : www.paparchitect.com